

Article datasheet

Customer name : CLEARWAY

Reference - product name: HSTPSSS0200 - PLATE SET 200MM 0.8mm

Material : Stainless Steel 201 – Both Face polished

Application / Market : Strip doors

Issue date : 13th, November 2012

Modification date : 25th, November 2013

Number : 2

Datasheet diffusion:

• Direction	• R&D	• Reception / Shipping
• Plant manager	Personnel management	Team leader
Financial & Administrative manager	Accounts department (Customers & Suppliers)	Team leader assistant
• Commercial director	• Purchasing dept.	Operator
Production manager	Maintenance	
• Quality manager	Supply chain	

Distribution list:

J. Valat, S. Vacca, R. Viallis, A. Lasch, P. Bouisset, W. Adams, JM. Chartier, V. Manai, H. Mathieu, J. REY, G. Teissedre, N. Domeny

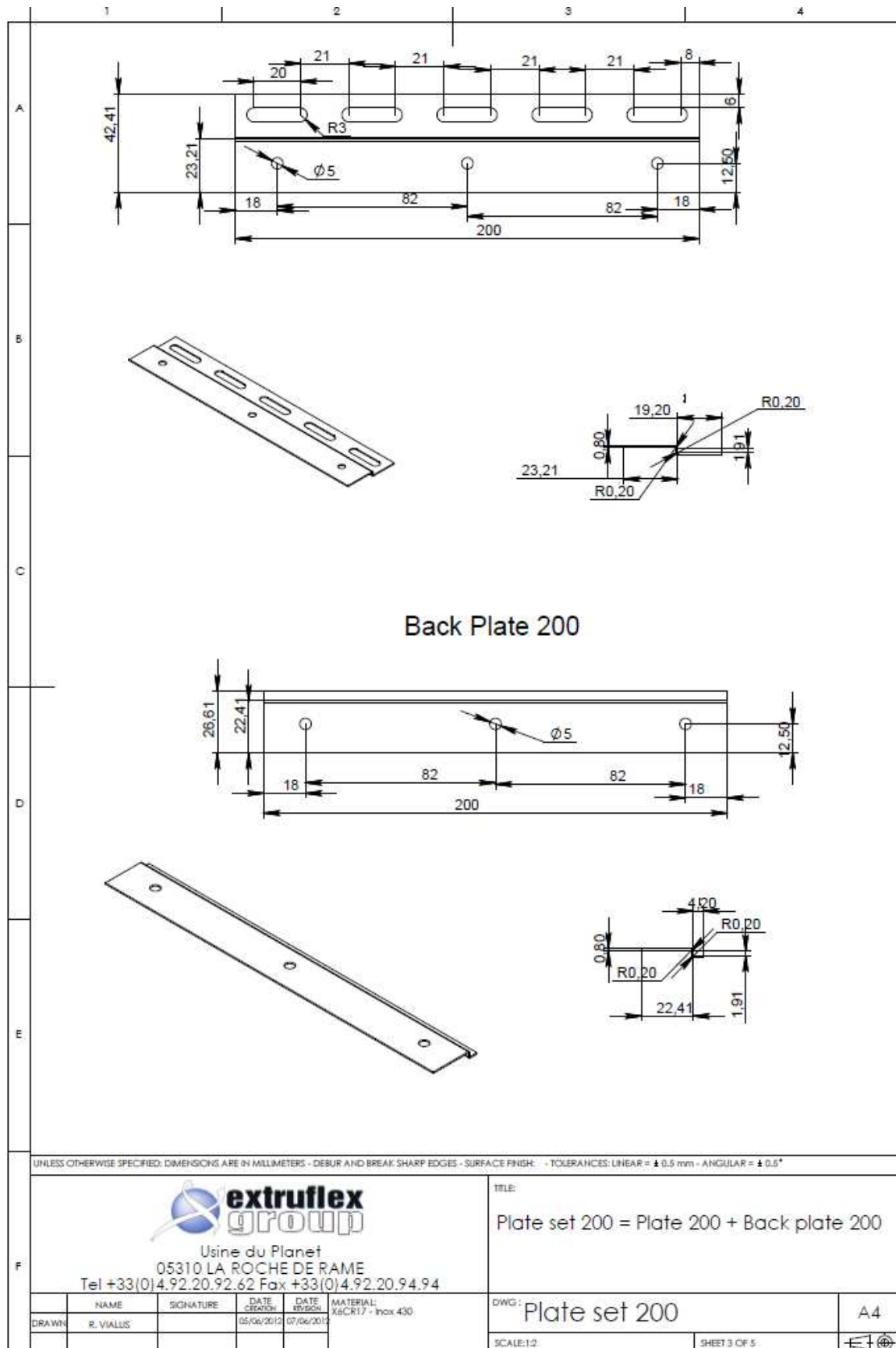
Cc: P. Chambriard

Modifications	Date	Index#	Writing		Approval	
			Name	visa	Name	visa
Creation	13/11/2012	1	R. Viallis		R. Viallis	
Modification	25/11/2013	2	R.Viallis		R.Viallis	

Comments:

Article code changed to match the standard one.

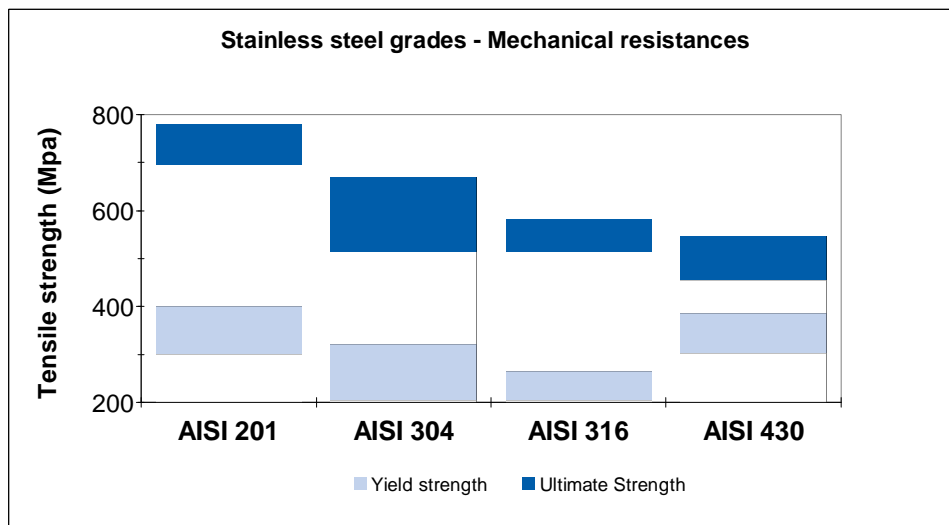
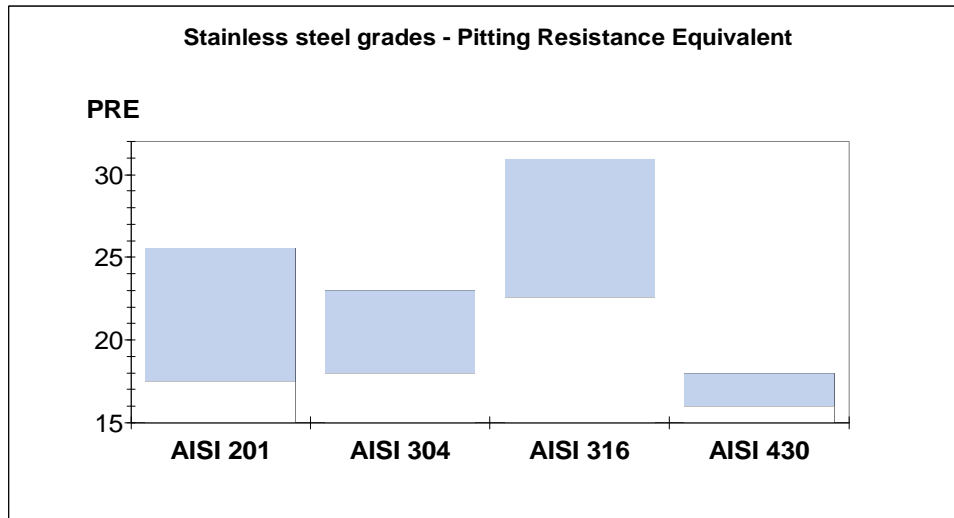
1. Plate sets design




2. Manufacturing Specifications:

Material to be used:

Stainless steel 201 – Both face polished



		AISI 201	AISI 304	AISI 316	AISI 430
Corrosion resistance		++	++	+++	+
Mechanical resistance		++	++	++	++

New design improvements:

Better mechanical resistance thanks to the additional bending. Reduced thickness to get a lighter hanging system.

Dimensions & Tolerance:

To be checked on the drawings above

Packaging(Transfer and sales):

Box	YES	Dimensions: L220 x l70 x h85	Material : Cardboard Boxes
Quantity	100 sets	100 plates on one side / 100 back plate on the other side	Not mixed / In the same box but separate sides
Water absorber	NO		
How to	The box has to be adjusted so that the plates don't move in transport		

Pallet and transport (transfer):

	Dimensions	Material	Number of box/pallet	Number of box/raw	Net weight	Gross weight
Pallets	600X800	Treated wood	165	33	1435 Kg	1472 Kg

Labels:

A. Top label or printing



Position : Centered on the top of the box

Size : 30mm X 100 mm

B. Side label or printing

DESC : PLATE SET
SIZE : HSTPSSS0200
MATERIAL : STAINLESS STEEL
QTY : 100
NET WEIGHT : 8.7 KG
GROSS WEIGHT : 8.8 KG
CARTON NO : (number of the carton)
POLISHING : YES

Position : On both sides of the boxes (sides 80x70 mm)

Size : 80 X 60 mm

3. QUALITY CHECK

Test	Requirement	Tolerance		Comments
Polishing	No scratches			
Thickness	0.8 mm	+0.05	-0.05	
Weight	8.8 Kg Gross weight	-10 grams	+10 grams	