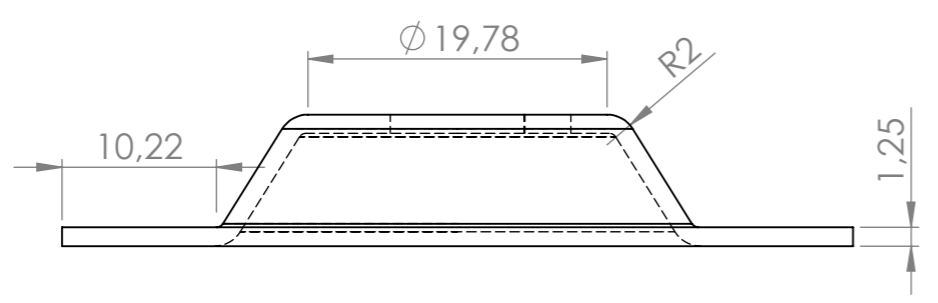
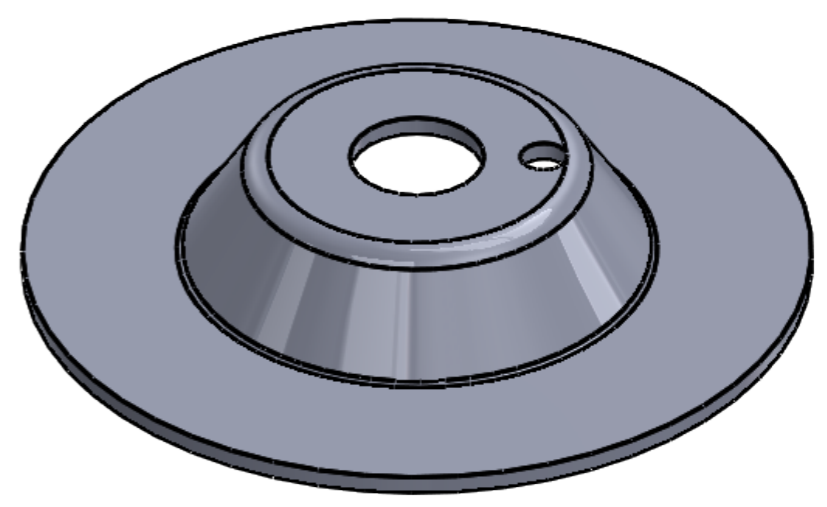
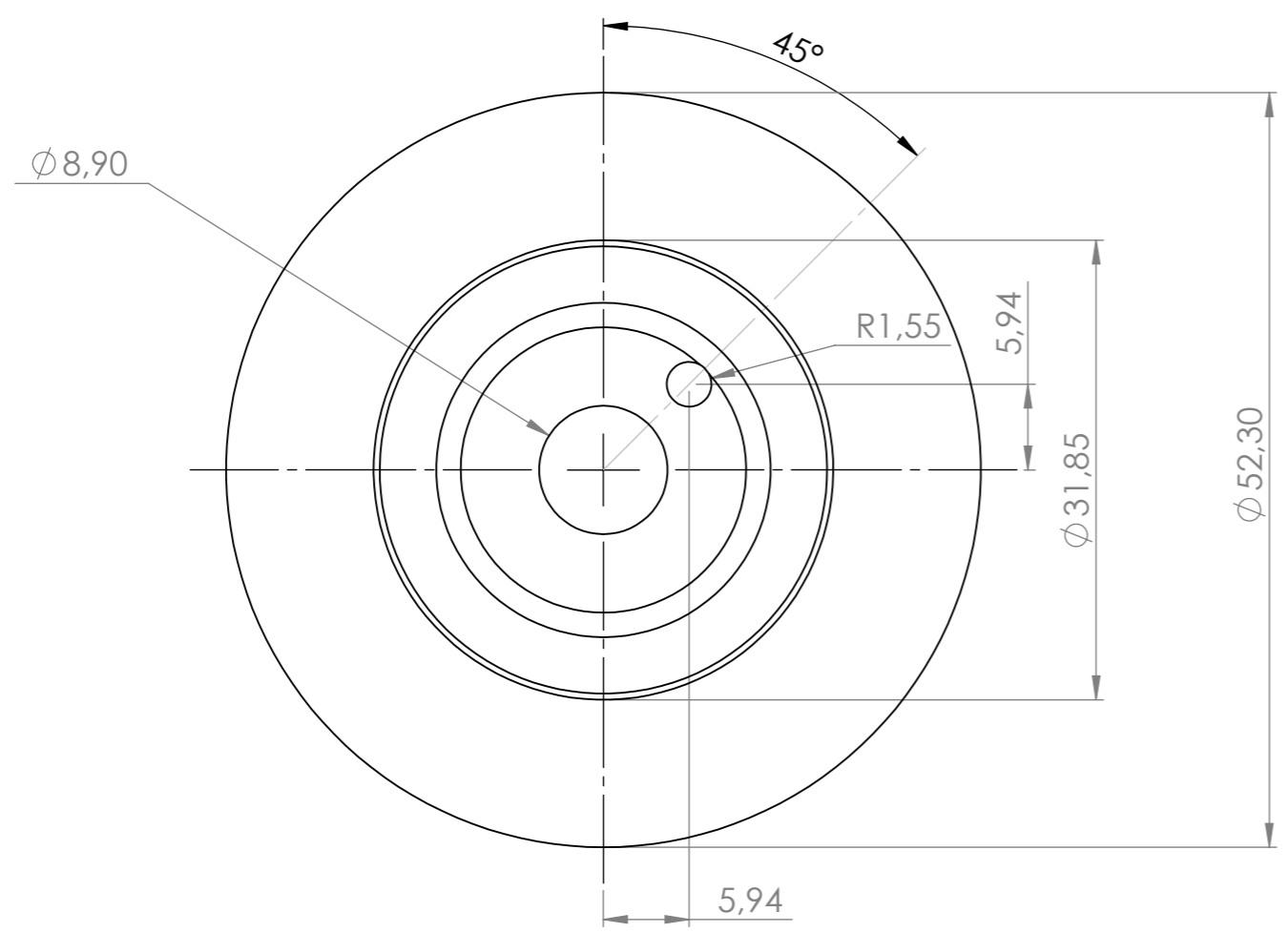


8 7 6 5 4 3 2 1

F
E
D
C
B
A

F
E
D
C
B
A



UNLESS OTHERWISE SPECIFIED: DIMENSIONS ARE IN MILLIMETERS SURFACE FINISH: TOLERANCES: LINEAR: ANGULAR:				FINISH:		DEBURR AND BREAK SHARP EDGES		DO NOT SCALE DRAWING		REVISION 0	
DRAWN OTB				SIGNATURE		DATE 25.01.2014		TITLE: Toppskive 316 $\phi 52$ mm for clip til GUP rist			
CHK'D				APPV'D		MFG		Q.A		MATERIAL:	
								DWG NO. Stanset skive-1		A3	
						WEIGHT:		SCALE:2:1		SHEET 2 OF 2	

8 7 6 5 4 3 2 1