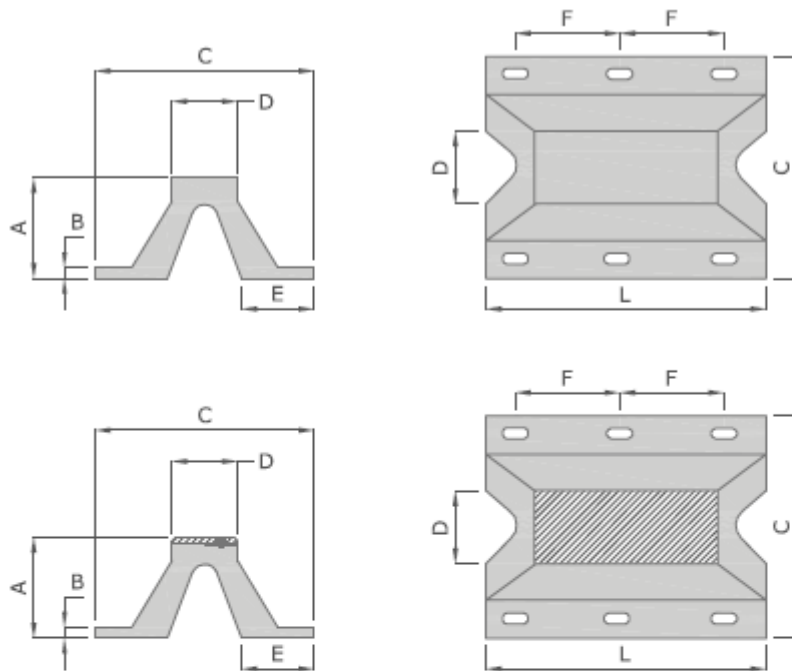


Arch-Fender



Standard dimensions

A (mm)	B (mm)	C (mm)	D (mm)	E (mm)	F (mm)	L (mm)	Top (mm) UHMW-PE	Weight (kg/m)	Weight (kg/m) with Top UHMW-PE
150	16-20	326	98	108	500	3000	30	28	35
200	18-25	422	130	142	500	3000	30	48	62
250	20-30	500	163	164	500	3500	30	69	90
300	25-32	595	195	194	500	3500	40	107	128
400	25-32	808	260	266	500	3500	40	185	217
500	25-32	981	325	318	500	3500	50	278	352
600	28-40	1160	390	373	500	3000	50	411	488
800	41-50	1550	520	499	500	3000	60	770	871
1000	50-62	1850	650	580	500	3000	60	1289	1390